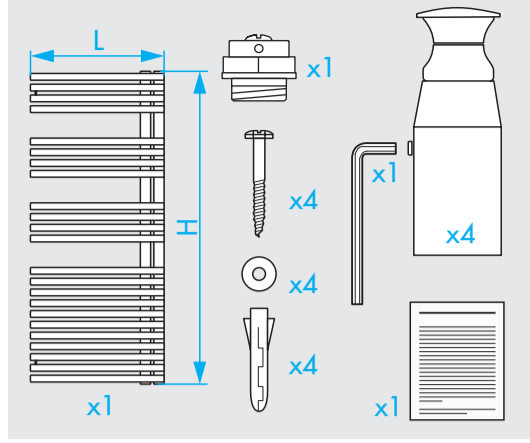
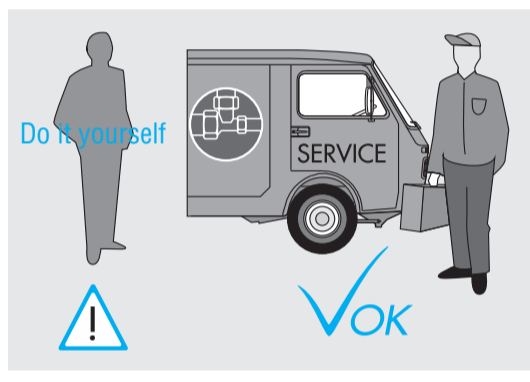
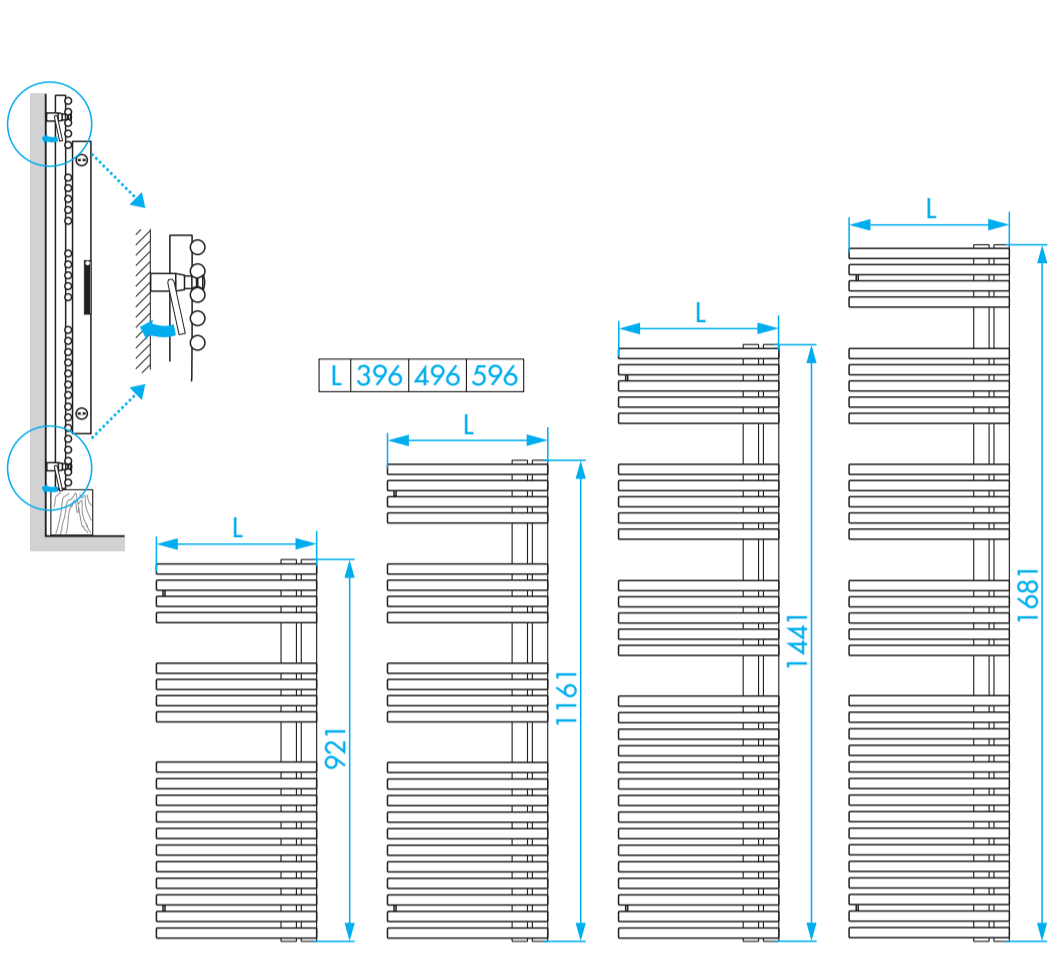
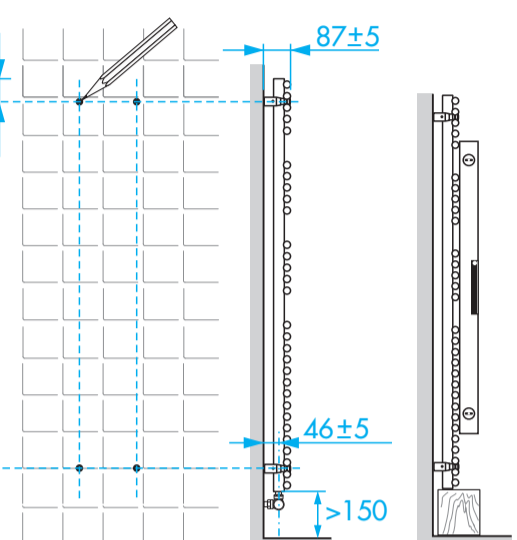
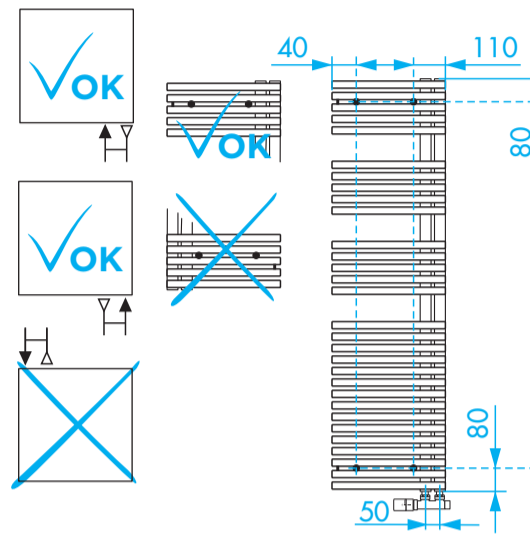
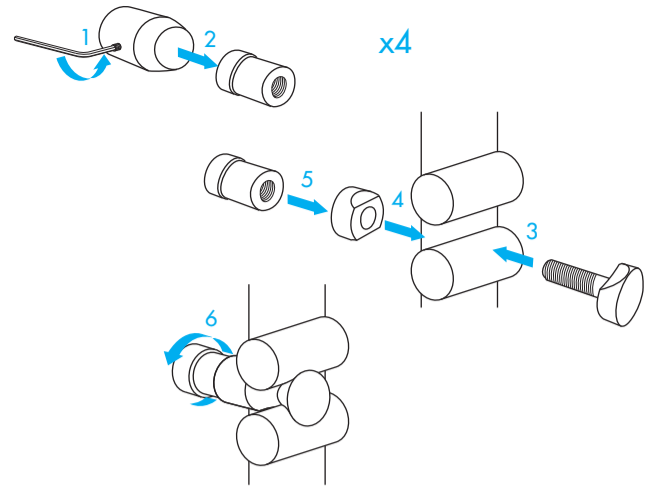
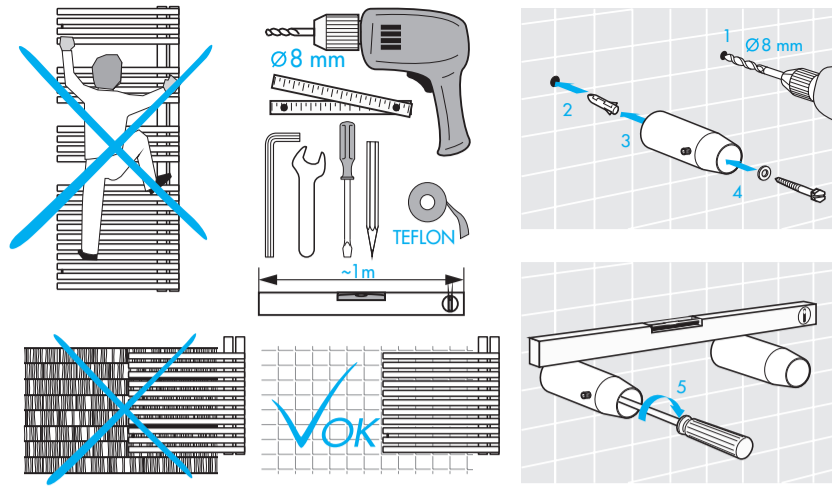


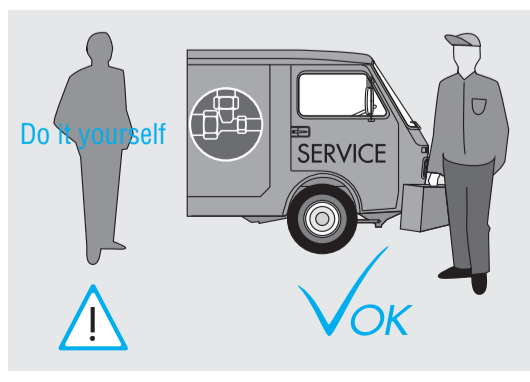
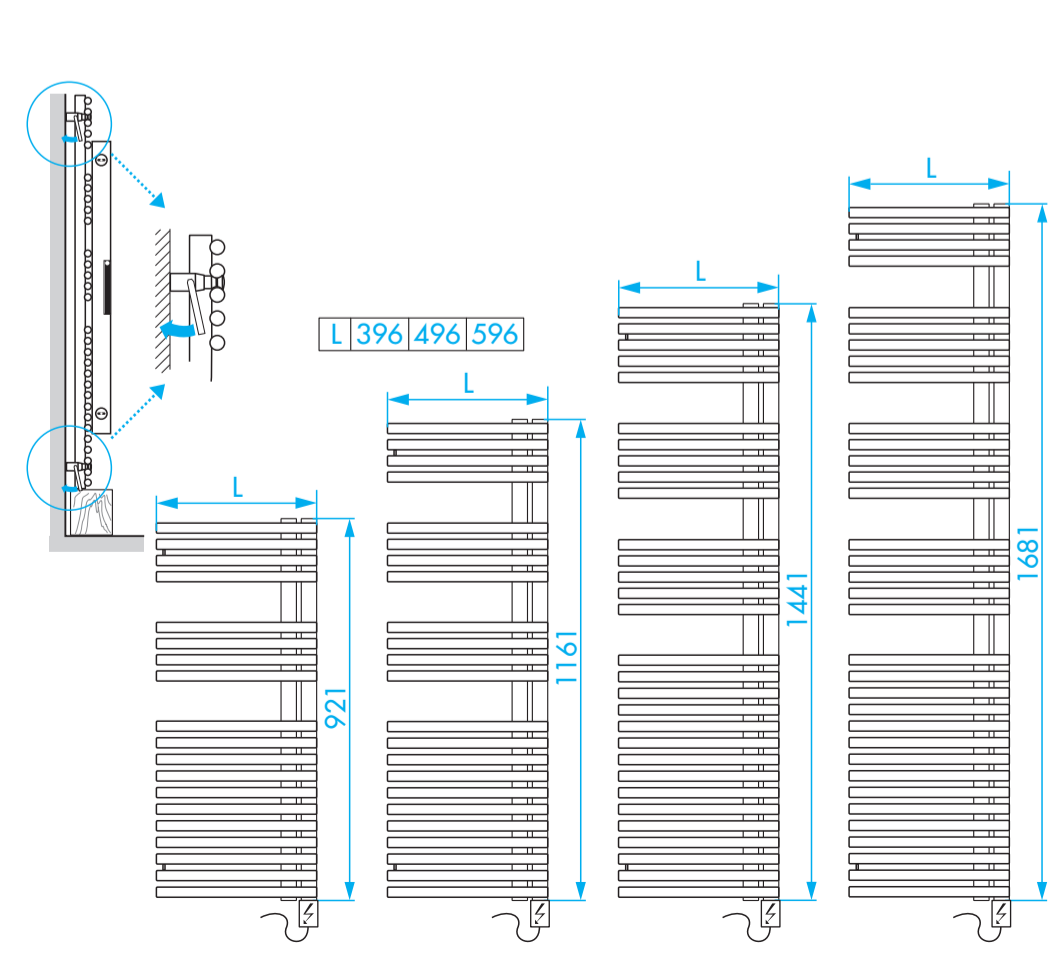
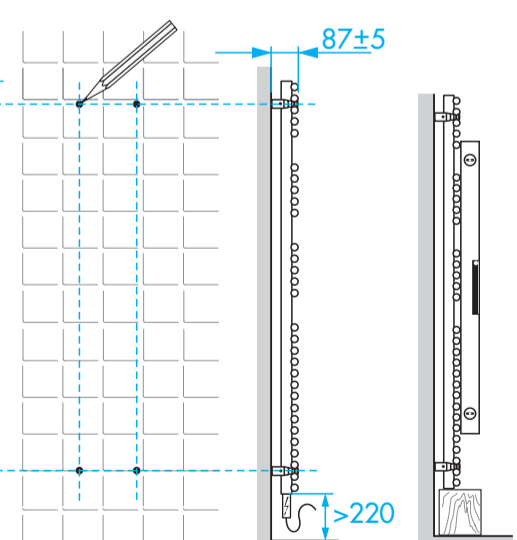
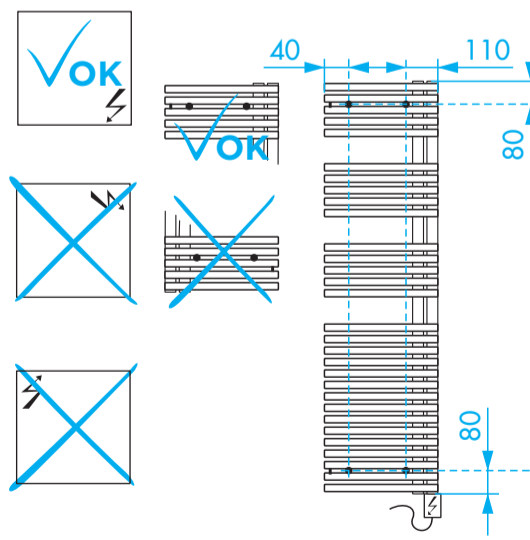
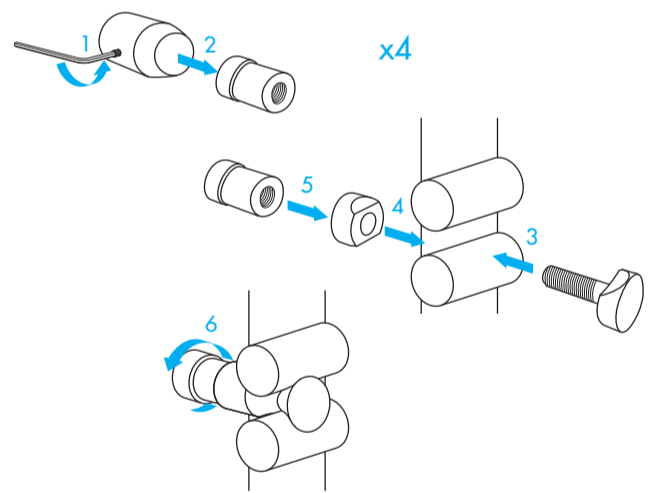
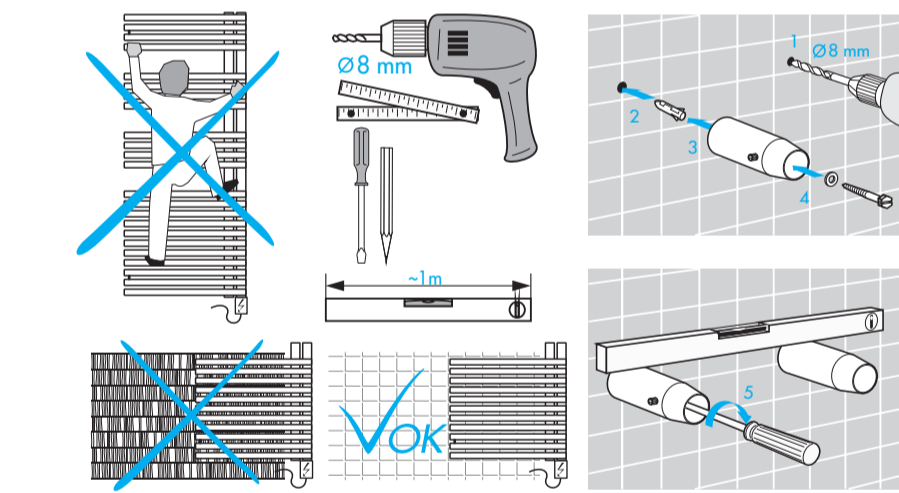
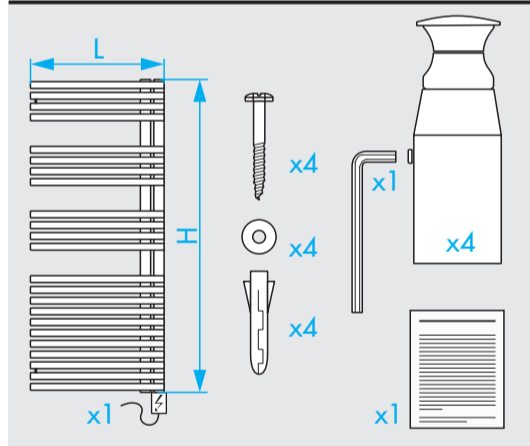
P25-M / P25-F



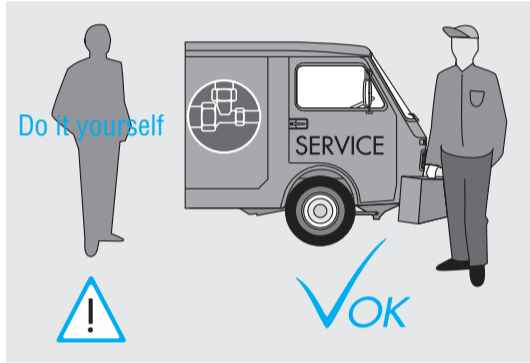
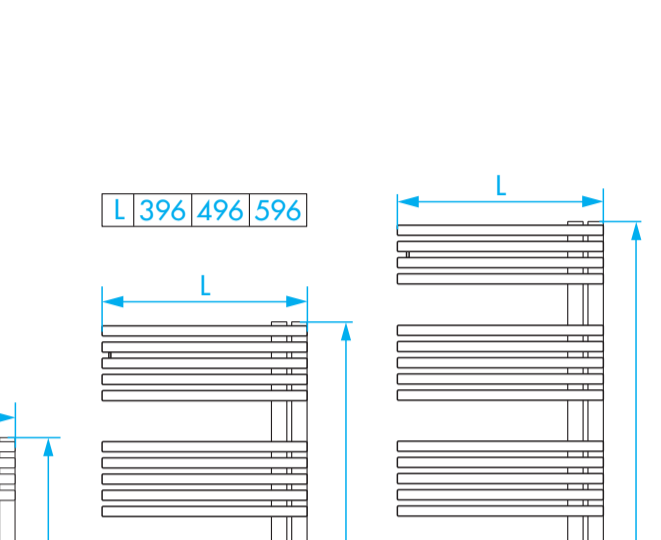
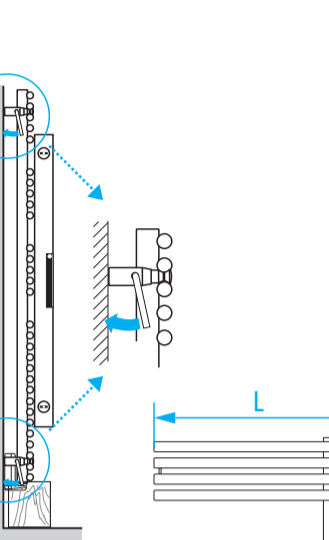
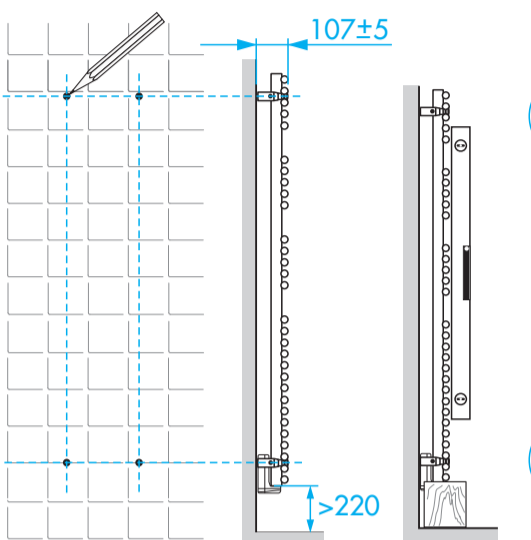
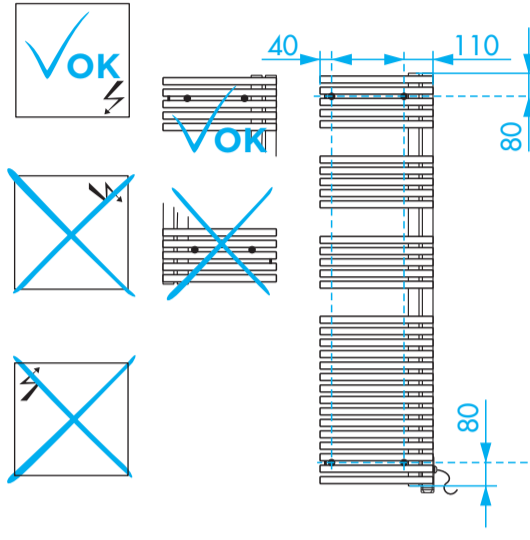
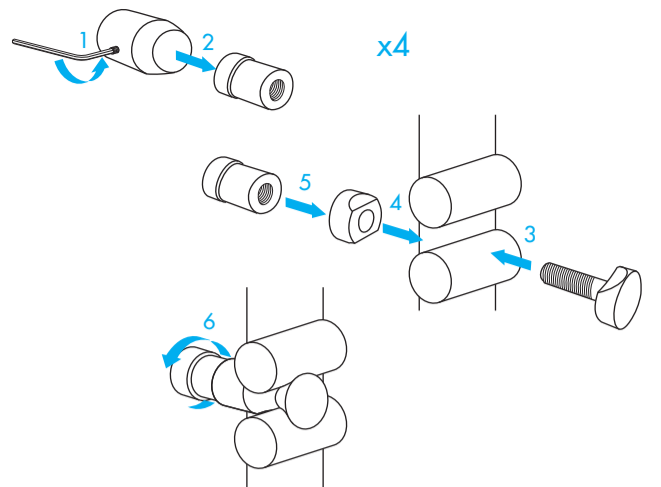
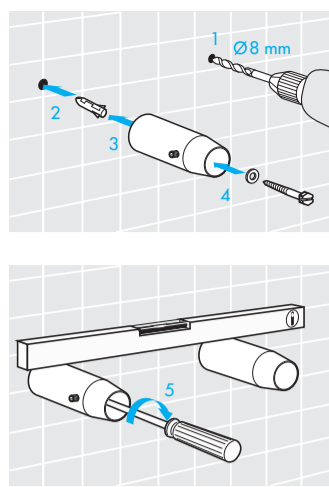
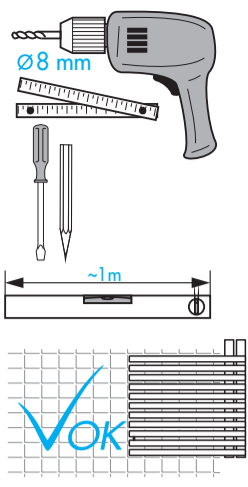
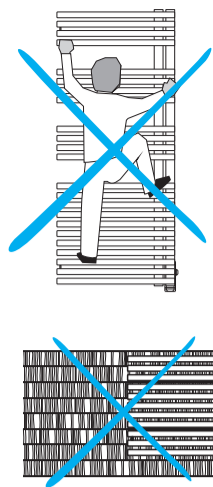
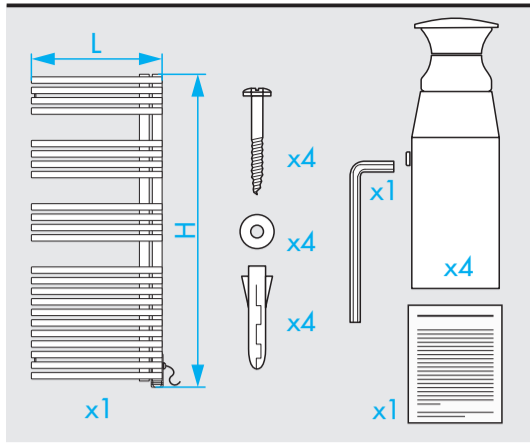
© Copyright by PBO 07/18 40004200



P25-ME / P25-FE



P25-ME(R)-RF



P25-ME(L)-RF

