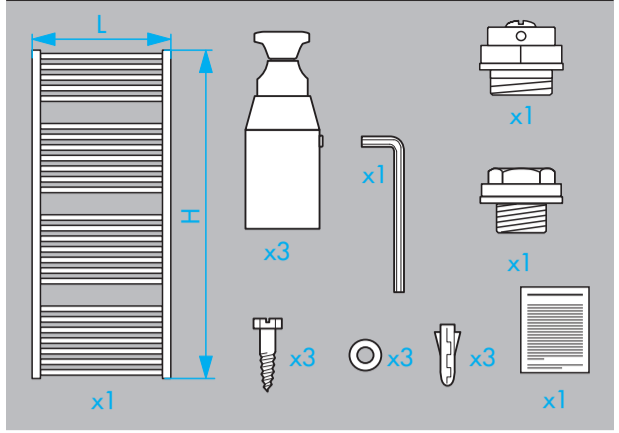
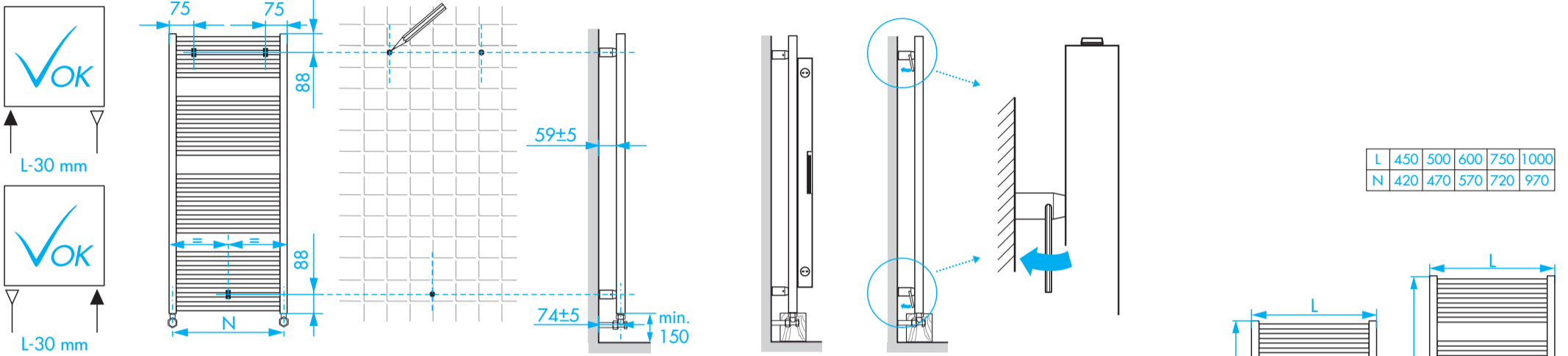
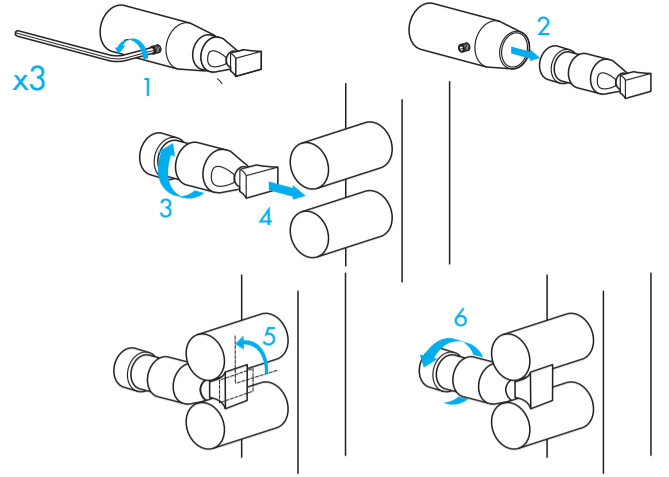
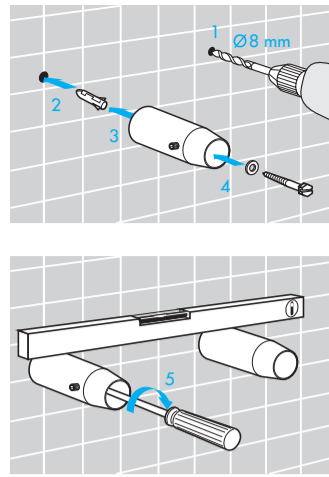
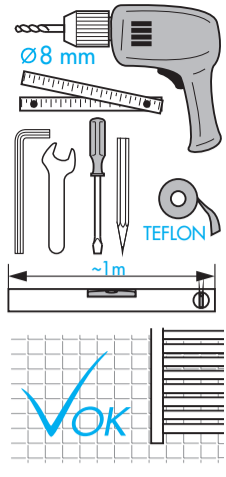
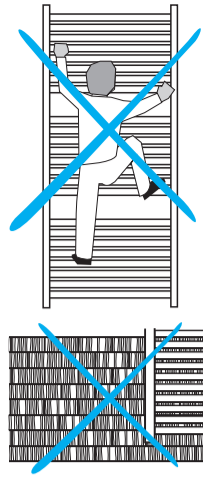


TYPE PY

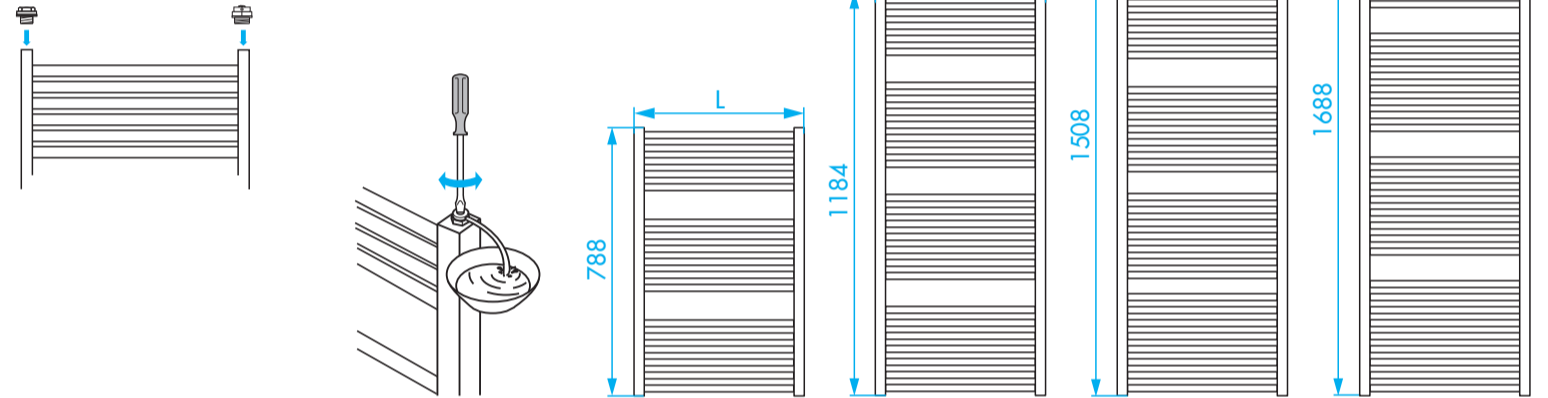
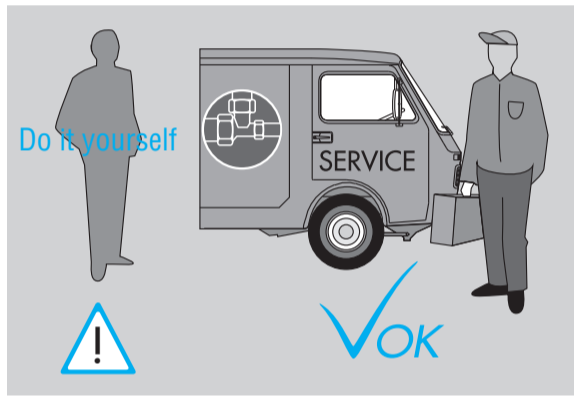
852 080



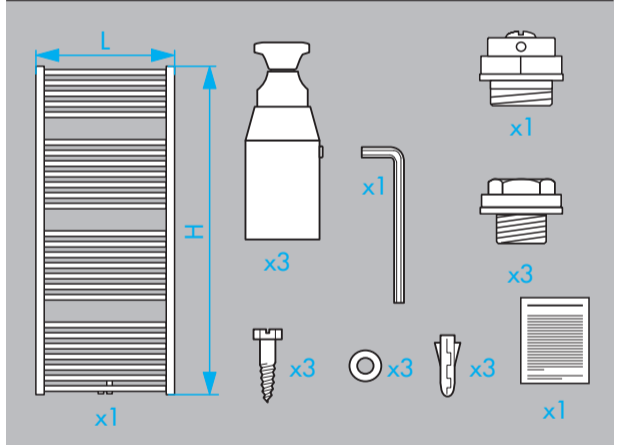
© Copyright by PBO 10/12



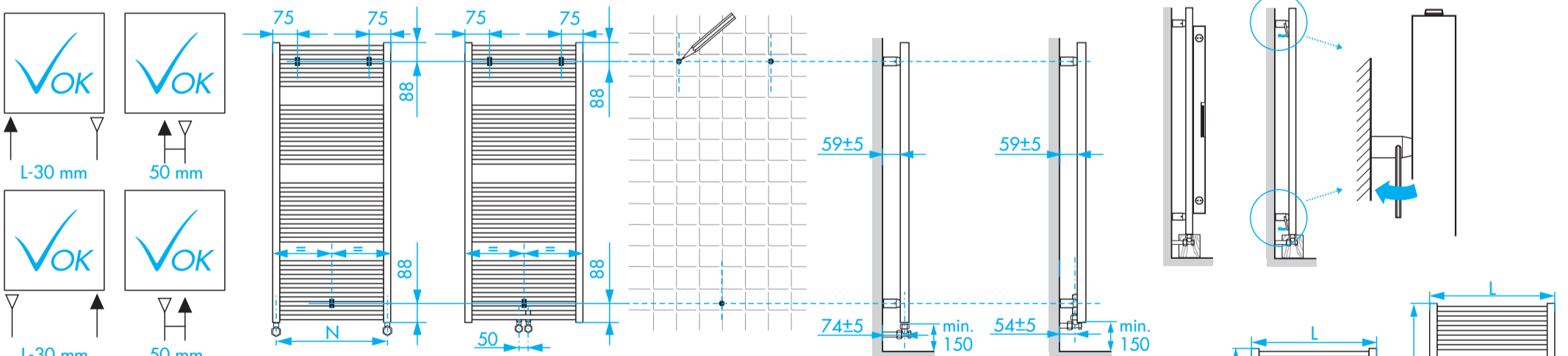
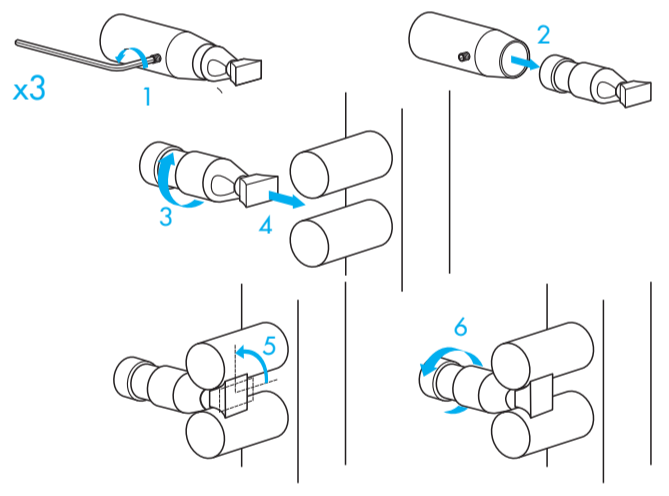
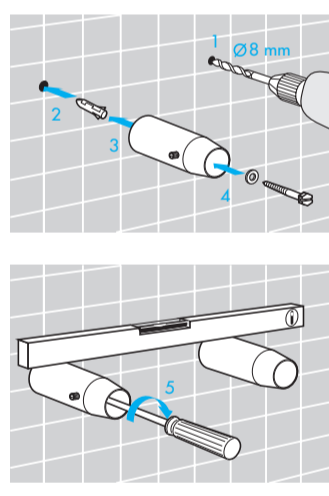
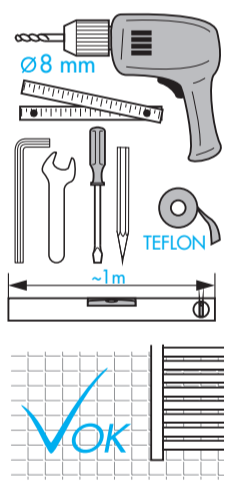
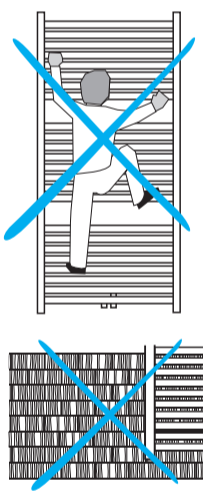
L	450	500	600	750	1000
N	420	470	570	720	970



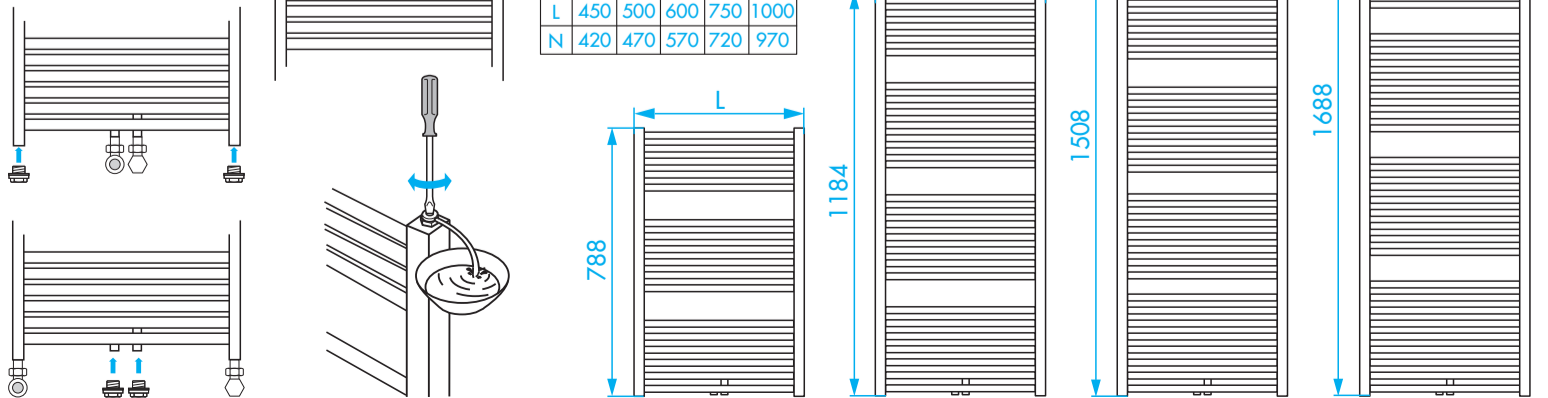
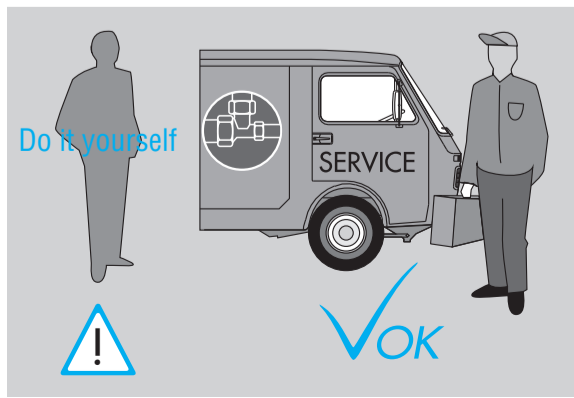
TYPE PY-05



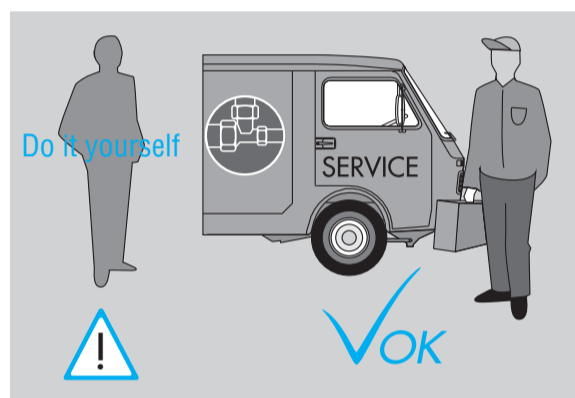
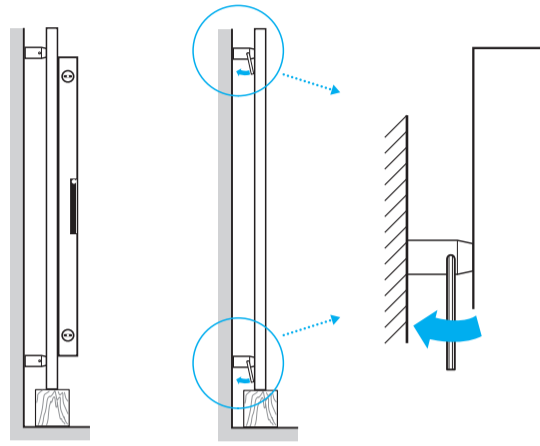
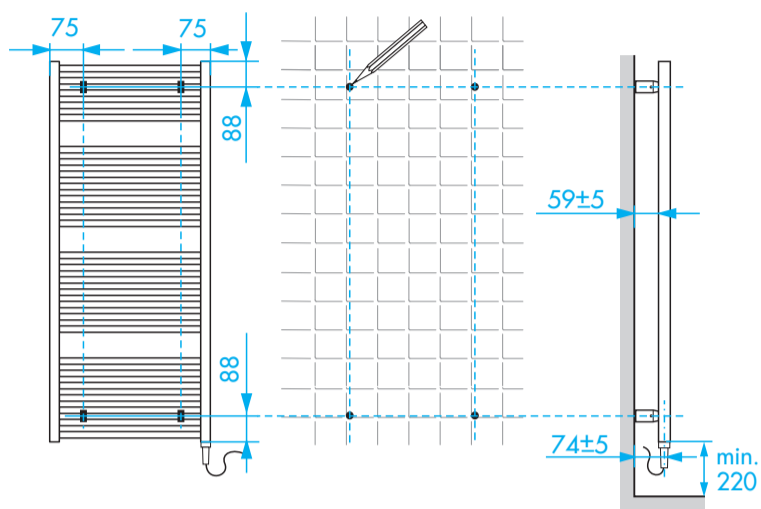
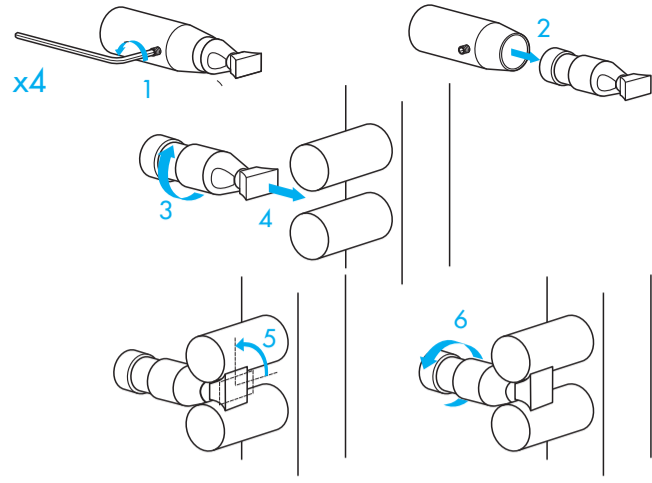
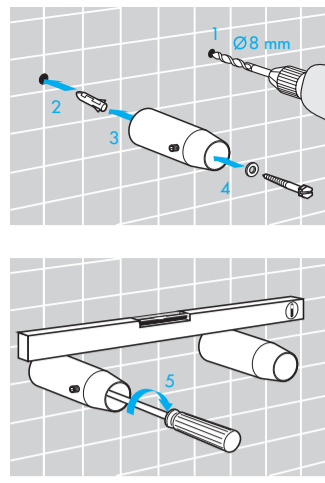
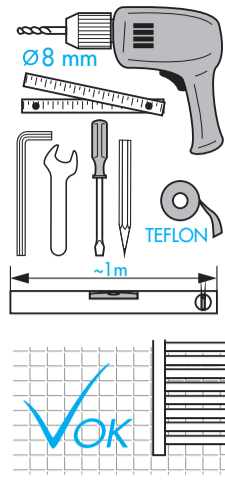
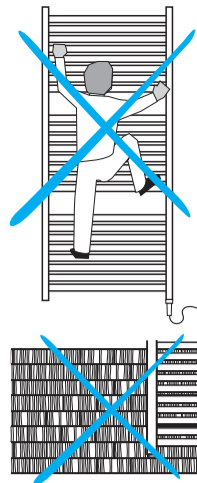
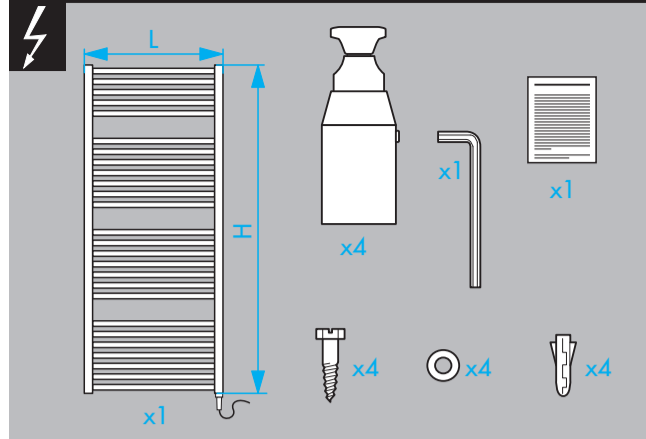
© Copyright by PBO 10/12



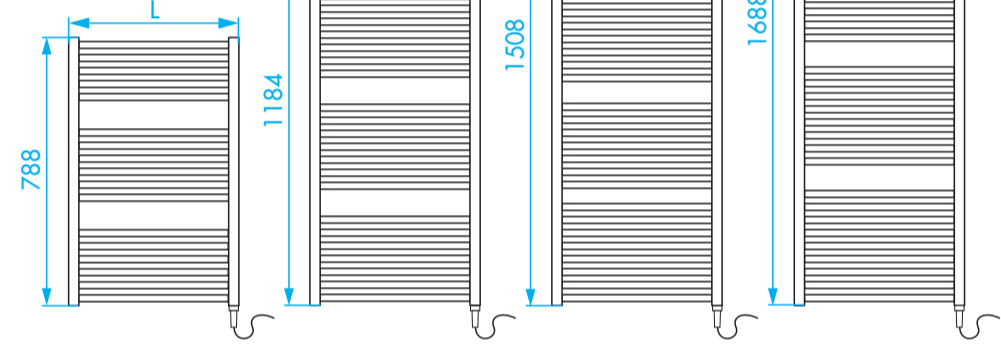
L	450	500	600	750	1000
N	420	470	570	720	970



TYPE PYE

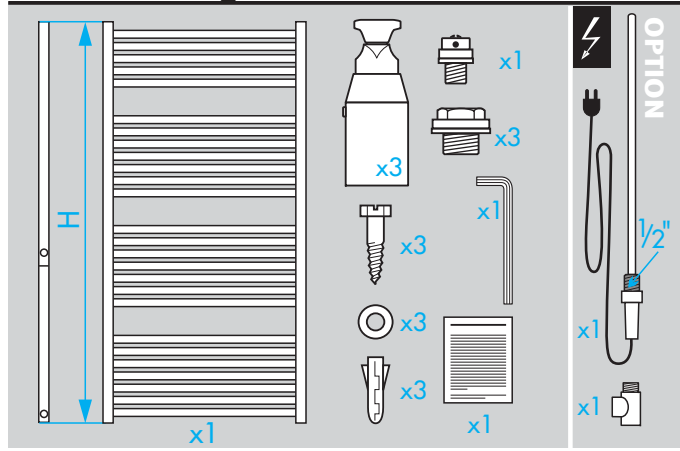


L 450 500 600 750 1000

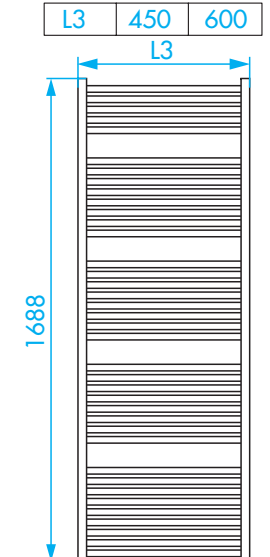
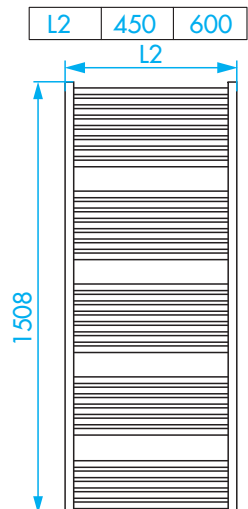
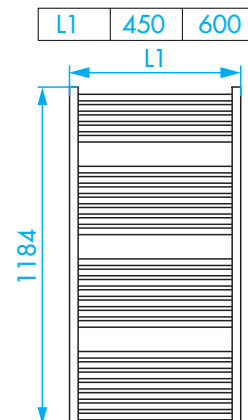
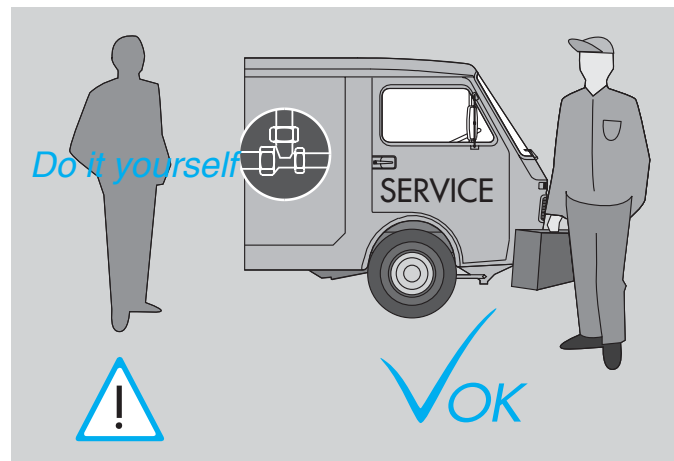
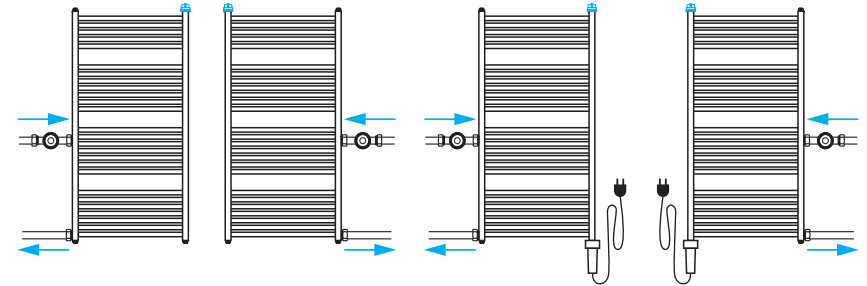
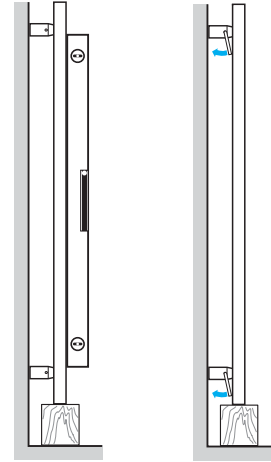
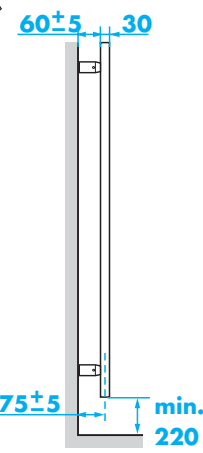
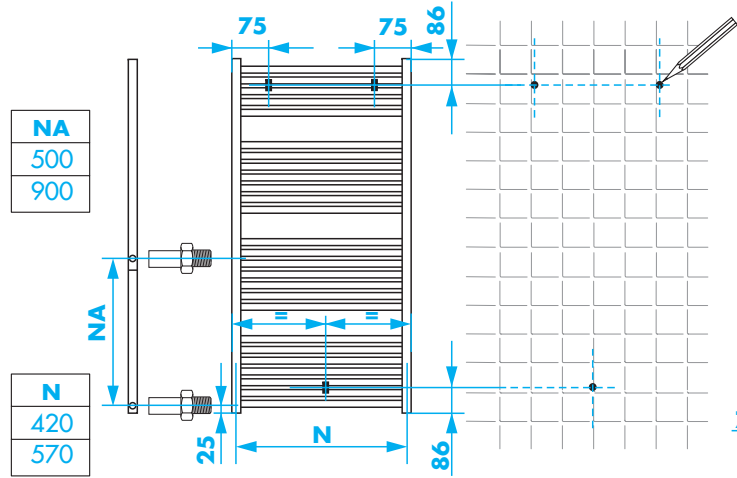
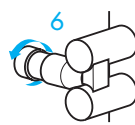
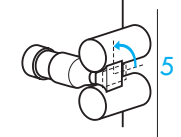
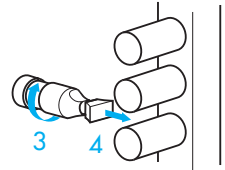
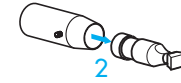
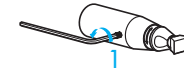
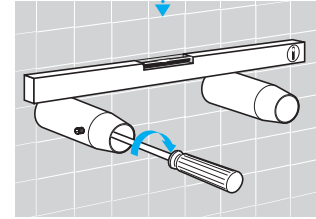
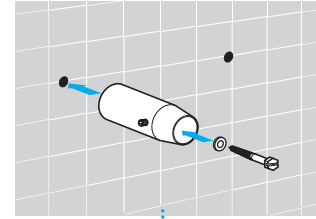
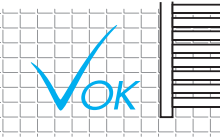
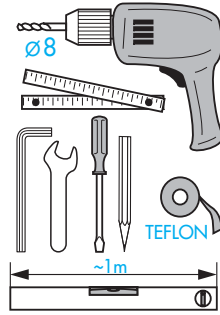
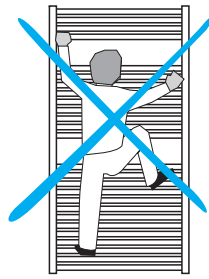


TYPE PyL/R

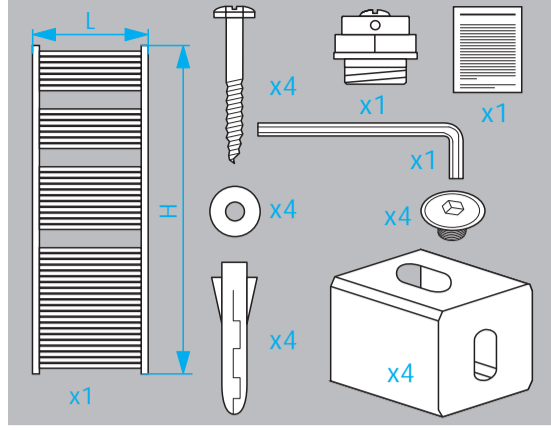
190907



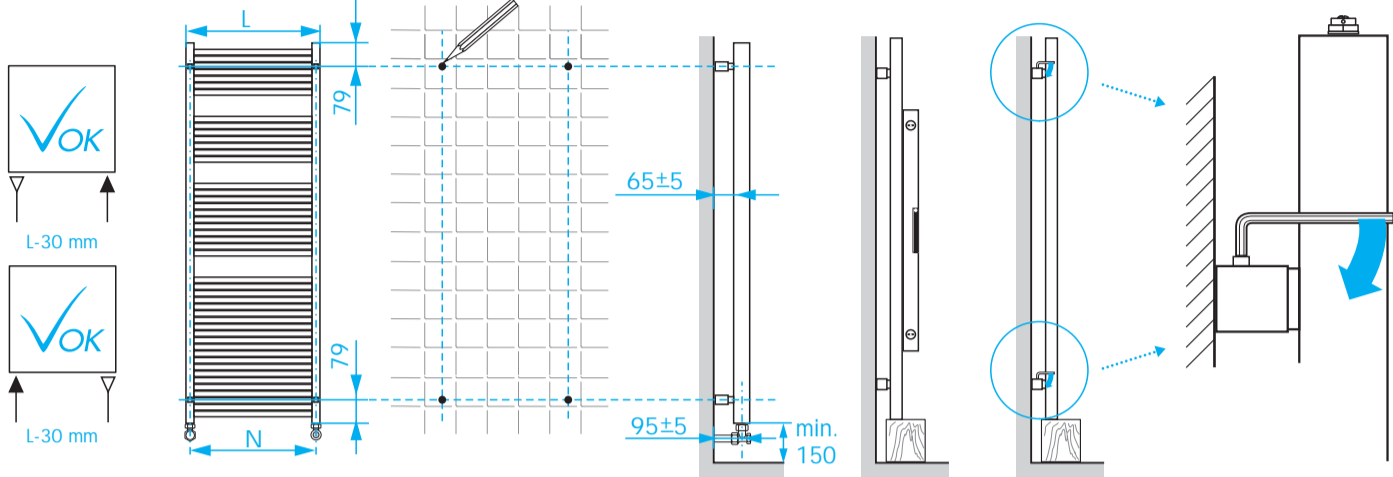
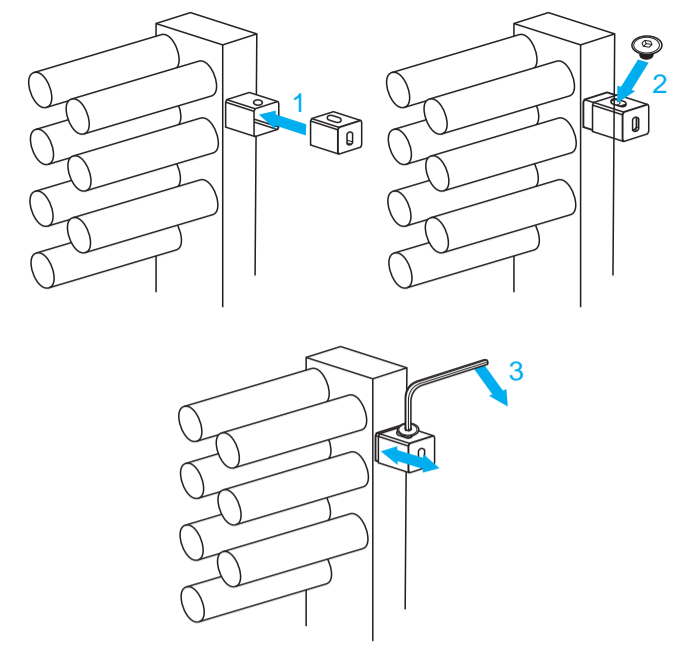
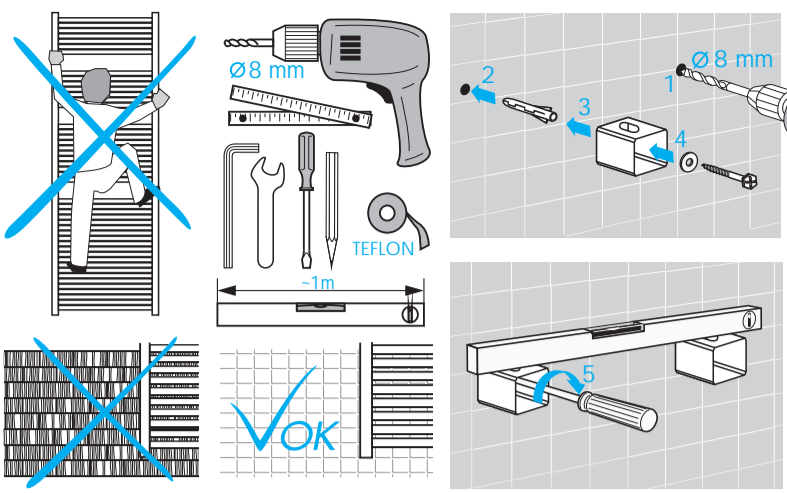
© Copyright by PBO 09/07



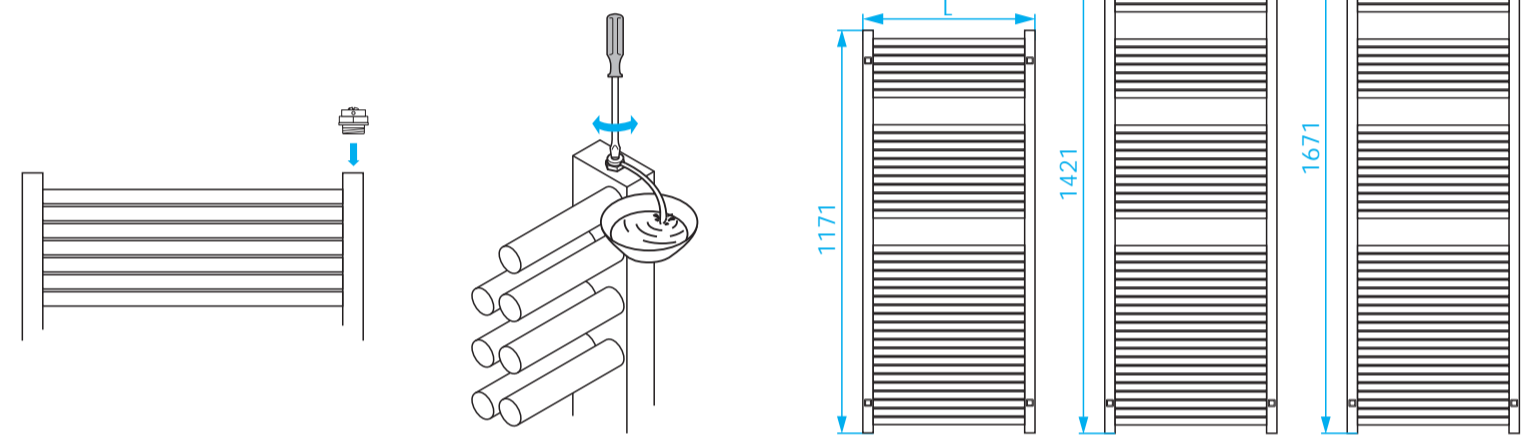
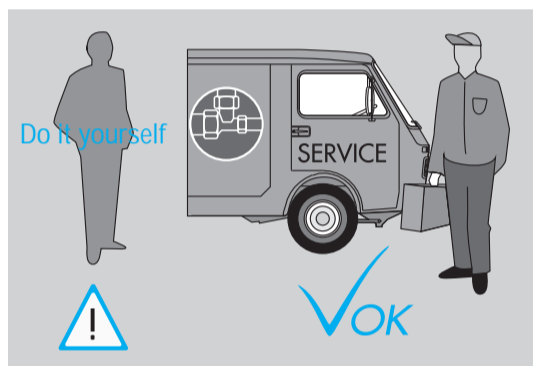
TYPE PYD



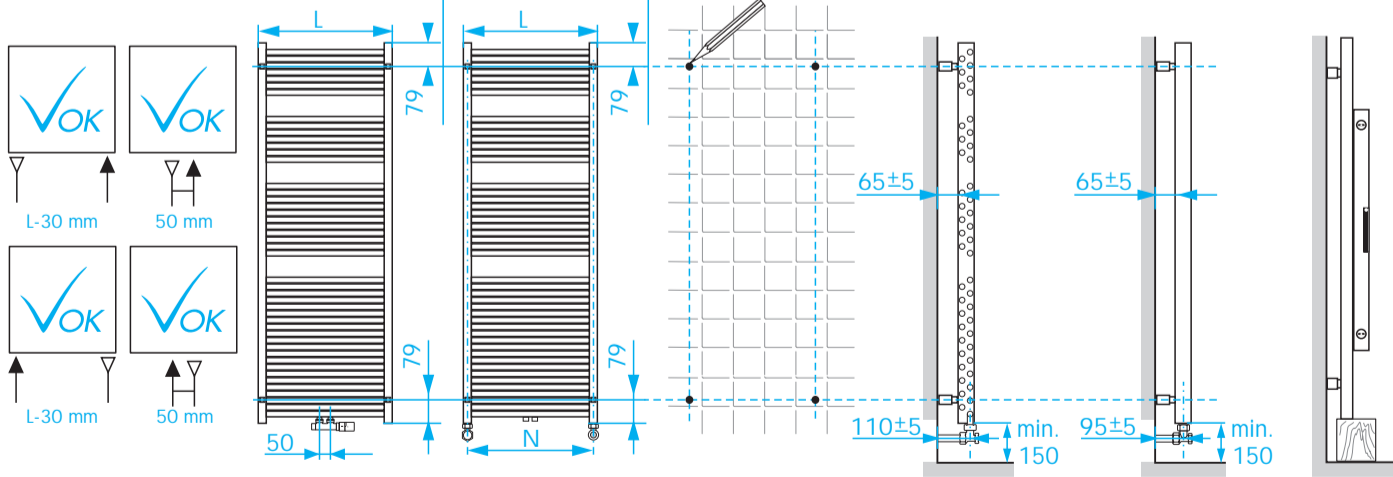
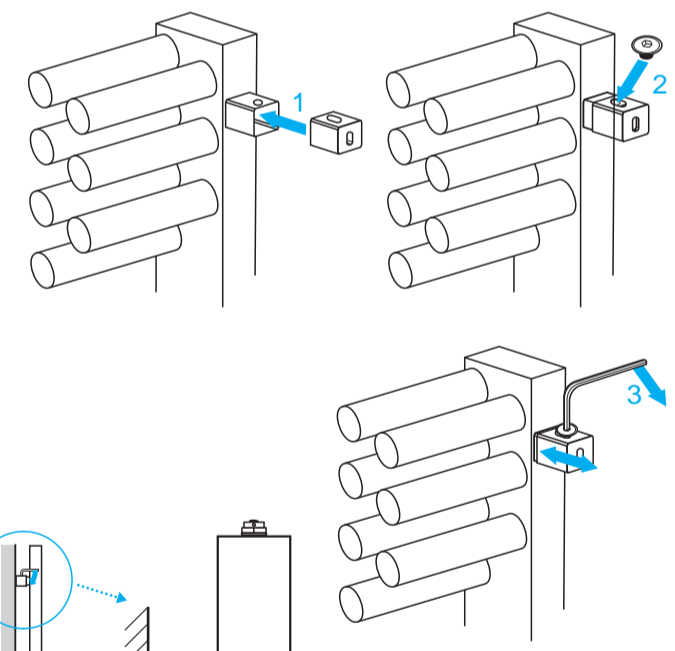
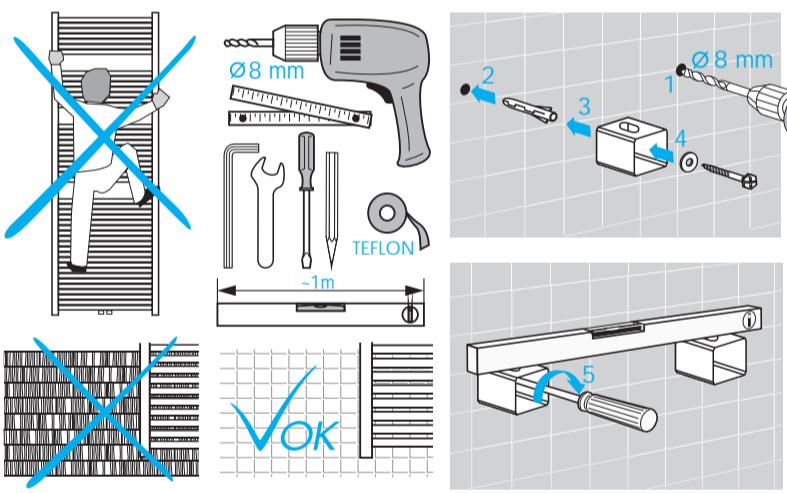
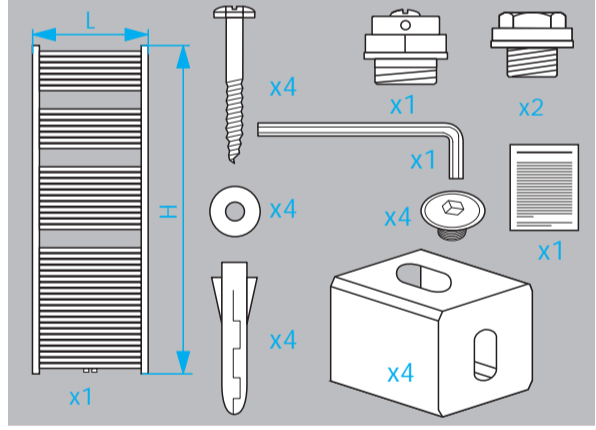
© Copyright by PBO 02/17 40016189



L	500	600	750	1000
N	470	570	720	970



TYPE PYD-05



L	500	600	750	1000
N	470	570	720	970

