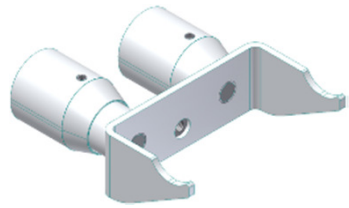
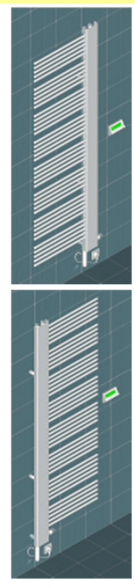
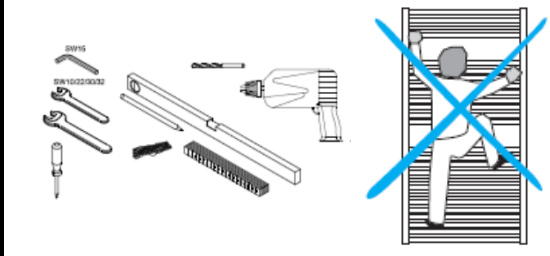
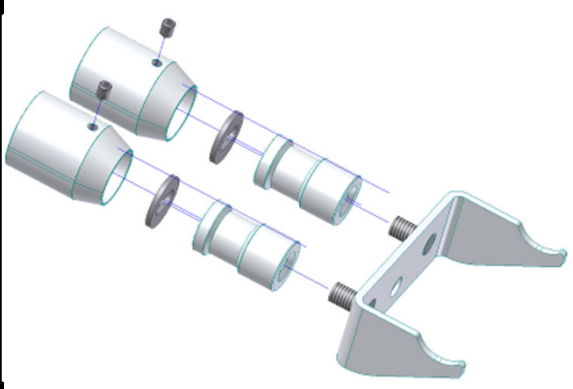


Yucca plus wall mounting console

- DE Montageanleitung
- GB Assembly Instructions
- FR Instructions de montage
- IT Istruzione di montaggio
- ES Instrucciones de montaje
- R Монтажная инструкция



Original mounting instruction 10/2011 PLA
 Original mounting instruction Rev. 1 Artik.Nr. D200
 Technical modifications are subject to change



Oberfläche schützen!
Protect surface!
Protégez la surface!
Proteggi superficie!
Берегите поверхность

1

2

3.1

3

min. 92

OK

max. 102

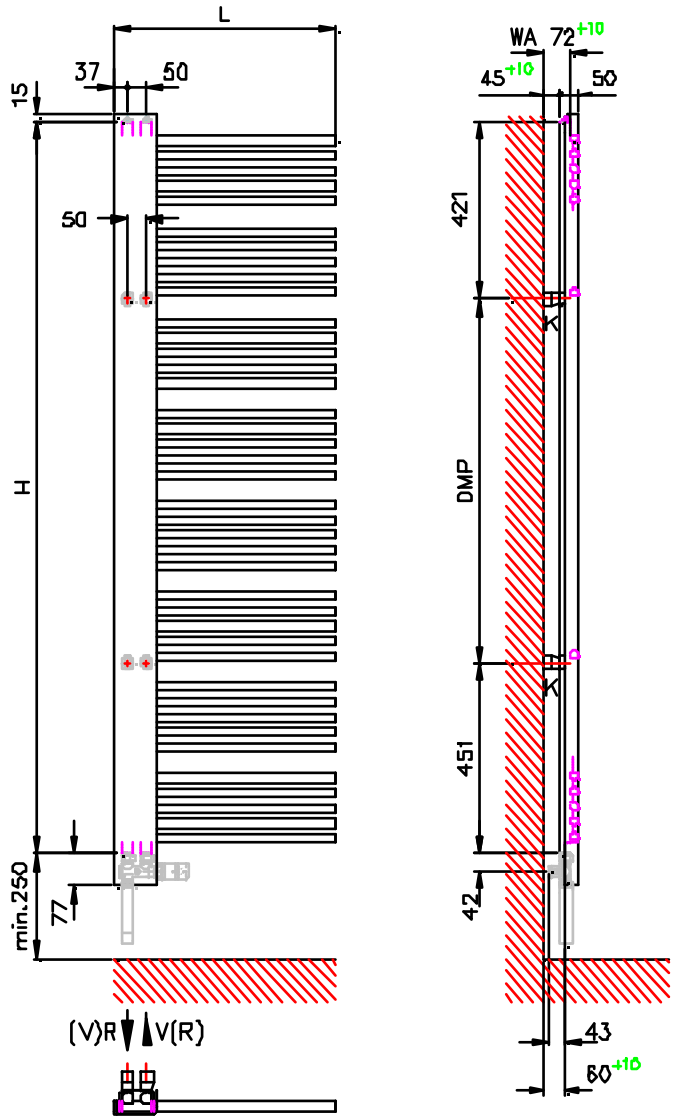
3.1

OK

4

4.1

4.1



H	D _{MP}	L
1520	648	582
1736	864	