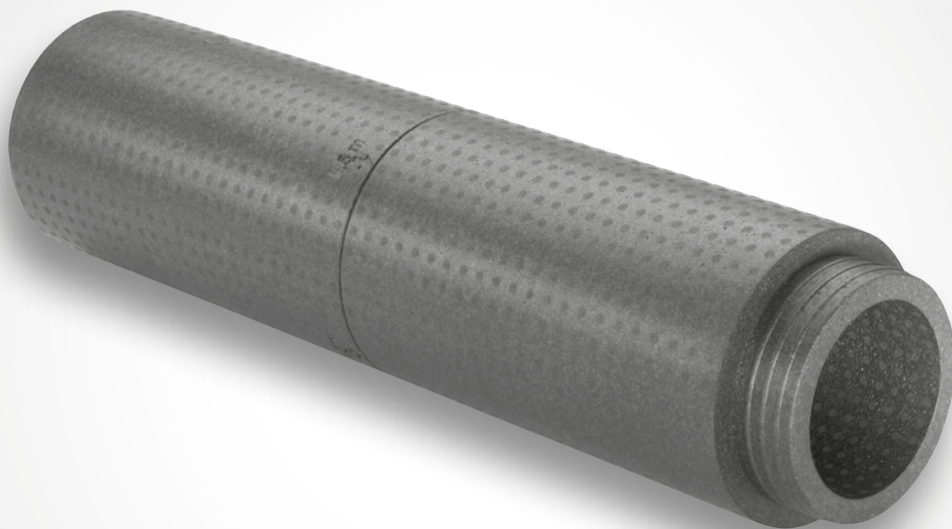


Zehnder ComfoPipe Plus

Technical specification for connection system in accordance with DIN 1946-6



General

Zehnder ComfoPipe Plus is a self-supporting and lightweight tube system and is therefore easy to install. The connection system includes close-fitting, pluggable, and robust connection and has very high thermal insulation properties. It fulfils the requirements of DIN 1946-6 up to 60 mm and, with its closed-cell and vapour-tight surface, also satisfies leakage classifications up to Class D.



ComfoPipe Plus tube



ComfoPipe Plus bend



ComfoPipe Plus connector



ComfoPipe Plus connection bend 160



ComfoPipe Plus 200 adapter

Benefits

- Everything from a single source – with the air distribution system and comfort ventilation unit, all components are available for the complete ventilation system
- Simple installation owing to modular design and compact dimensions

Technical specifications

Zehnder ComfoPipe Plus

Material thickness:	43 mm
λ :	0.035 W/m K
Coefficient of heat transfer:	0.68 W/m ² K
Application range:	-25 °C to 80 °C
Fire class:	B2
Weight:	Tube element 160: 1,082 g
	Tube element 200: 1,313 g
	Bend 160 45°: 205 g
	Bend 200 45°: 271 g
	Connector 160: 110 g
	Connector 200: 128 g
	Adapter ComfoAir Q600 ST: 678 g

Article numbers

Description	Article number
ComfoPipe Plus 160 tube element L = 940 mm, D = 246 / 160 mm	990 328 700
ComfoPipe Plus 160 bend 45° D = 246 / 160 mm	990 328 701
ComfoPipe Plus 160 connector D = 277	990 328 702
ComfoPipe Plus 200 tube element L = 940 mm D = 286 / 200 mm	990 328 720
ComfoPipe Plus 200 bend 45° D = 286 / 200 mm	990 328 721
ComfoPipe Plus 200 connector D = 326	990 328 722
ComfoPipe Plus connection bend 160	990 328 704
ComfoPipe Plus 200 adapter for ComfoAir Q600	990 328 723
ComfoPipe Plus 160 connector set for ComfoFond-L Q TR	990 328 750
ComfoPipe Plus 200 connector set for ComfoFond-L Q ST	990 328 751
ComfoPipe Plus external wall grille 160 mm	990 430 584
ComfoPipe Plus external wall grille 200 mm	990 430 585

Description

Zehnder ComfoPipe Plus tube system 160 mm (or 200 mm) for standard-compliant design for outside and exhaust air. The light tube material is sealed against steam diffusion. The triple-seal connector pieces ensure a safe and air-tight connection. Adhesion of the joint on site is no longer required. The tube system comprises a length element of 940 mm (1,000 mm overall length), a connector for connecting the tube pieces without a connection profile and a 45° bend. Unit adapters are available for connecting the ventilation unit. Adapters are available to connect to the ComfoAir Q 350/450/600 ventilation units for standard-compliant and air-tight installation.

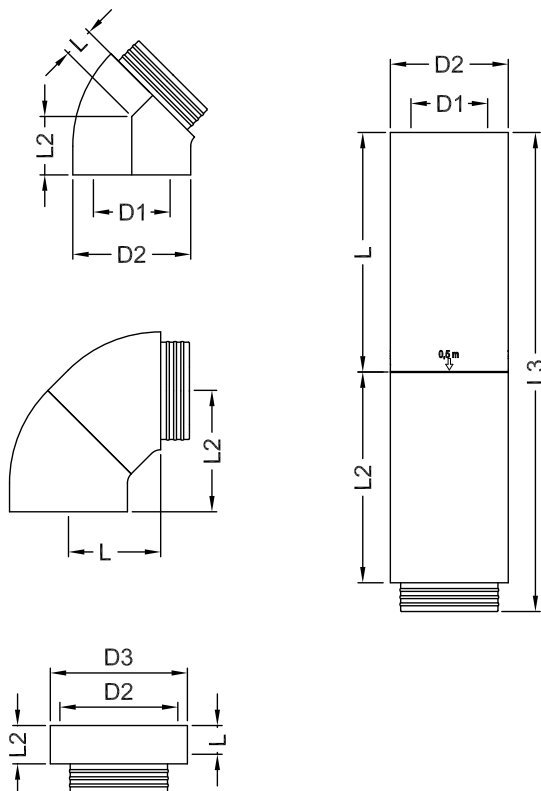
The Zehnder ComfoPipe Plus tube system complies with the insulation requirements of DIN 1946-6 in a thermal sleeve of up to 60 mm insulation thickness with a wall thickness of only 43 mm.

Dimensions

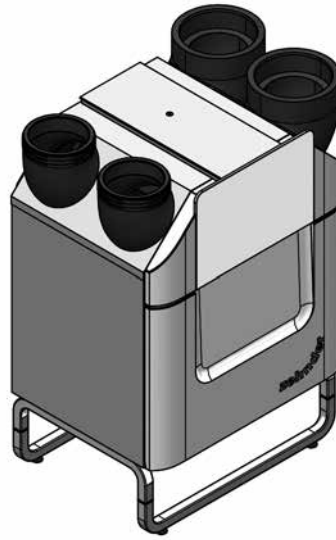
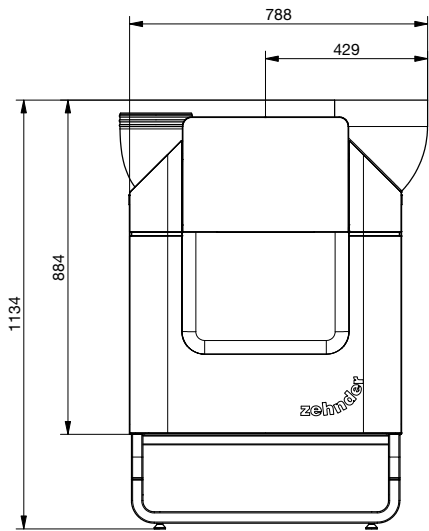
D1	D2	D3	L	L2	L3
Tube element					
160 mm	246 mm	-	500 mm	440 mm	1,000 mm
200 mm	286 mm	-	500 mm	440 mm	1,000 mm
45° bend					
160 mm	246 mm	-	60 mm	122 mm	-
200 mm	286 mm	-	70 mm	130 mm	-
2x 45° bend					
160 mm	246 mm	-	59.5	58.6	-
200 mm	286 mm	-	58.0	56.9	-
Connector					
160 mm	246 mm	277 mm	60 mm	80 mm	-
200 mm	286 mm	326 mm	60 mm	80 mm	-

Dimensional drawings

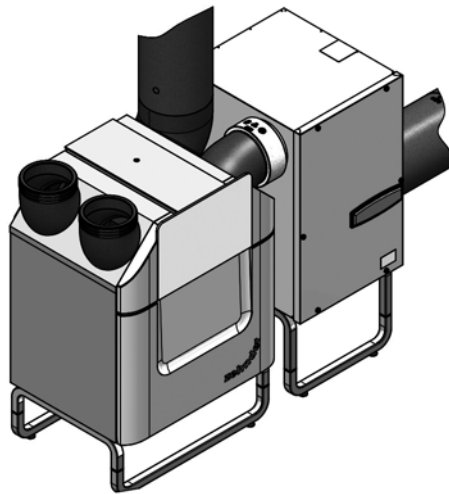
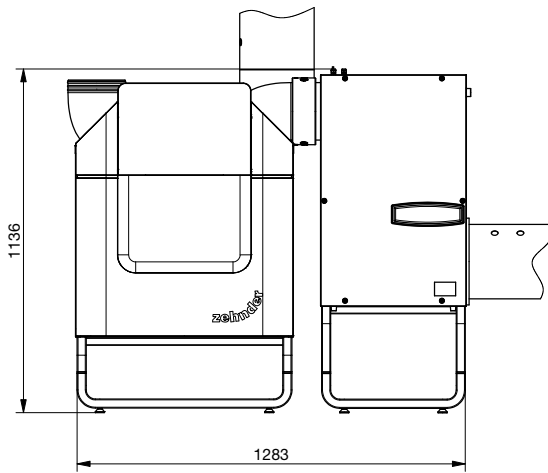
ComfoPipe Plus



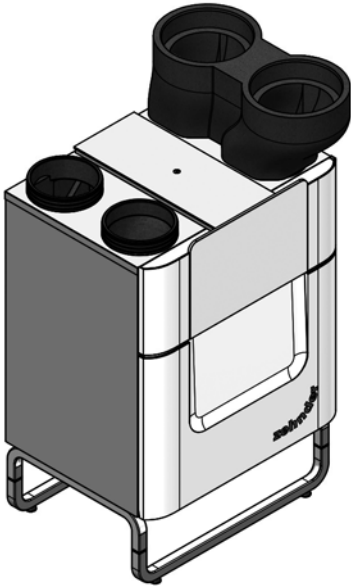
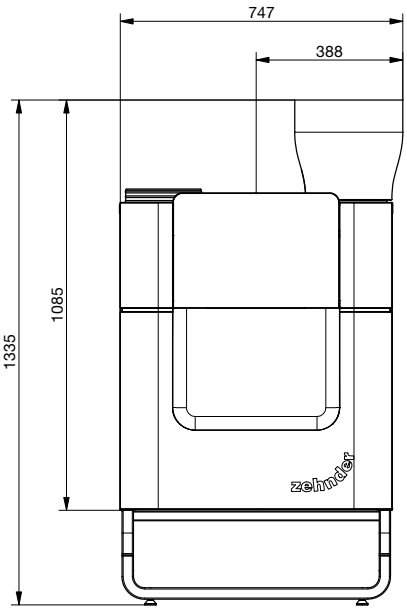
ComfoPipe Plus adapter with ComfoAir Q350/450 TR



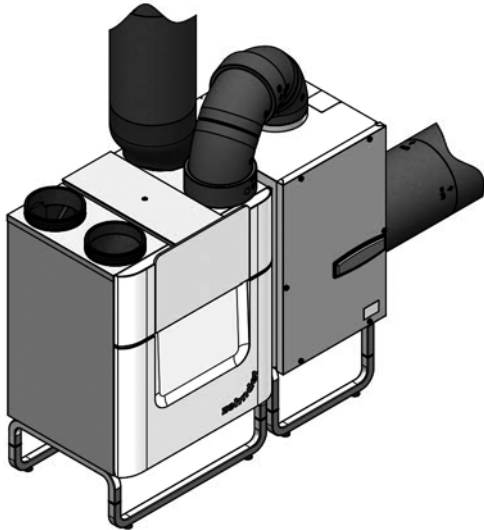
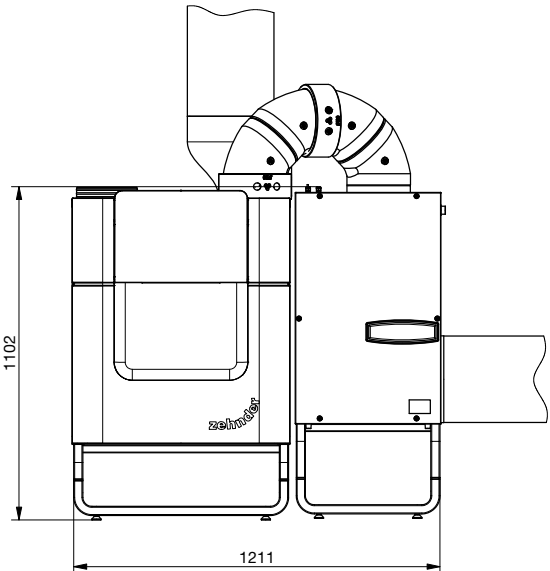
ComfoPipe Plus connector set for ComfoFond-L Q TR with ComfoAir Q350/450 TR



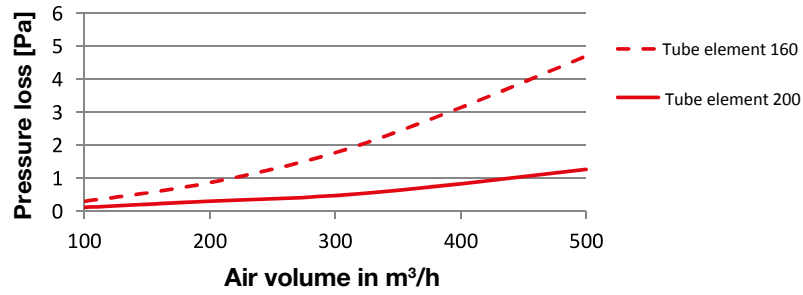
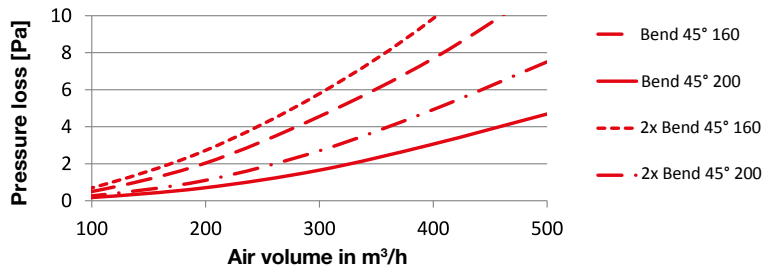
ComfoPipe Plus connector set for ComfoFond-L Q600 ST



ComfoPipe Plus connector set for ComfoFond-L Q ST with ComfoAir Q600 ST



Pressure loss graphs



Z_DE_V1216_CSX_TES_TS079_en, subject to change without notice